

DeltaSpan™ Two-Wire Pressure Transmitter

Features

- ✓ Rugged stainless steel transducer with flexible polyurethane cable
- ✓ Optional weight anchors sensor in turbulent or fast moving liquids
- ✓ Removable guard protects sensor from damage and process debris

Specifications

Range:	LD10: 0 to 7.5 psi (0 to 0.5 bar)
	LD11: 0 to 15 psi (0 to 1 bar)
	LD12: 0 to 30 psi (0 to 2 bar)
Accuracy:	± 0.25% of span
Supply voltage:	7-35 VDC
Loop resist.:	(Vs-7) x 50 ohms
Signal output:	4-20 mA, two-wire
Calibration:	None, fixed span
Process temp.:	F: -5° to 125° C: -20° to 50°
Temp. comp.:	Automatic
Proof pressure:	2 x full span
Burst pressure:	> 35 x full span
Enclosure rating:	NEMA 6X (IP68)
Probe material:	316 ss and 17-4 PH ss
Cable material:	Polyurethane
Cable type:	2-conductor, shielded
Cable length:	LD10: 0 to 32' (0 to 9.8m)
	LD11: 0 to 32' (0 to 9.8m)
	LD12: 0 to 48' (0 to 14.6m)
Weight:	Approx. 100 grams
Classification:	General purpose
CE compliance:	EN 50082-2 immunity EN 55011 emission



Description

The general purpose two-wire pressure transmitter provides contact level measurement up to 30 psi or 2.0 bar and is ideally suited for relatively clean water, light oil or diluted corrosive liquids. The transmitter is typically selected for underground bulk storage, wet well, open channel or pond applications. Media examples include irrigation water and motor oil. For integral wiring termination and process mount, order the LD90 installation kit for use with your transmitter. Each kit includes a compact junction box, PP plug fitting and nylon cable connector for fast installation. Its level made simple!

DeltaSpan

Ordering

LD1 -5041

Sensor range (1) (2) (3)

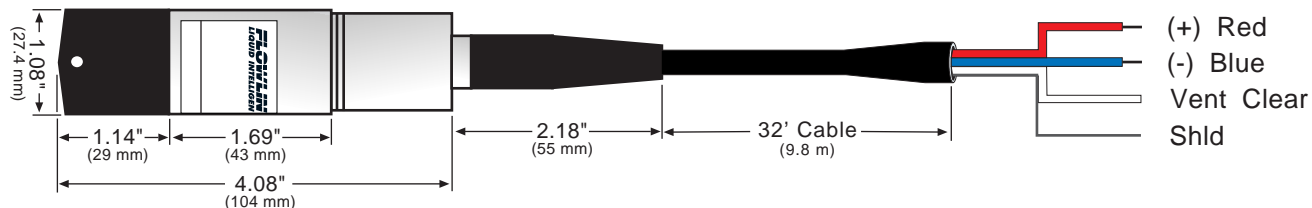
- 0 0 to 7.5 psi (0 to 0.5 bar)
- 1 0 to 15 psi (0 to 1 bar)
- 2 0 to 30 psi (0 to 2 bar)

Ordering Notes

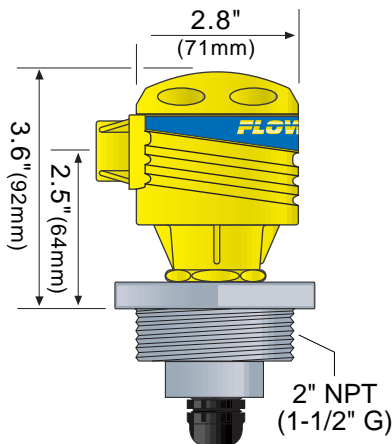
- 1) The maximum sensor range in tank height for each type is as follows:
LD10: 0 to 17' (0 to 5.1m)
LD11: 0 to 35' (0 to 10.6m)
LD12: 0 to 48' (0 to 14.6m)
- 2) For integral conduit termination and process mount (PP), order the LD90-1001 (2" NPT) or LD90-1061 (1 1/2" G) installation kit for \$120.
- 3) For additional loading of the DeltaSpan, order the nose cone weight (LD10-NOSE) for \$90.

DeltaSpan™ Two-Wire Pressure Transmitter

LD10 Pressure Transmitter

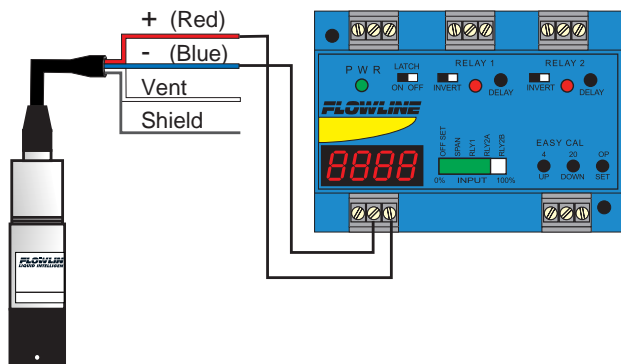


LD90 Installation Fitting

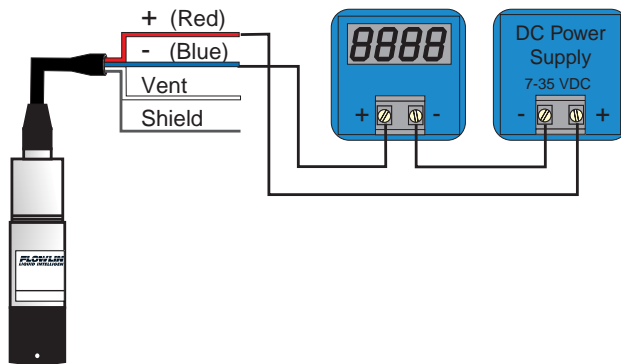


Specifications are subject to change without notice.

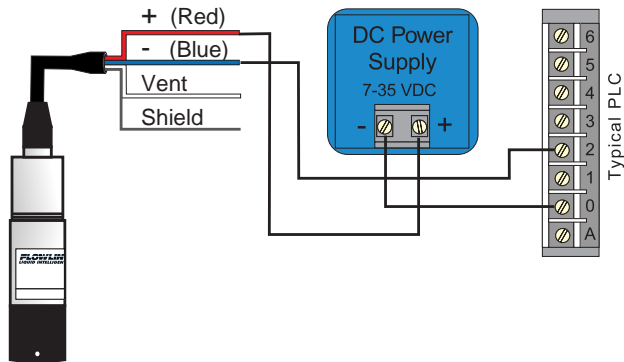
Wiring to a LC52 Controller



Wiring to a Loop Powered Meter



Wiring to a PLC



Wiring to a Universal Panel Meter

